

1

2

3

4

5

A

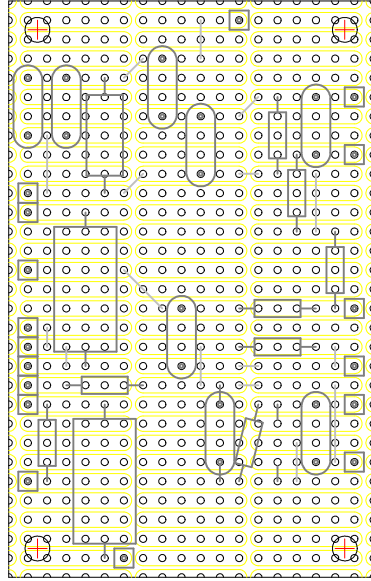
B

C

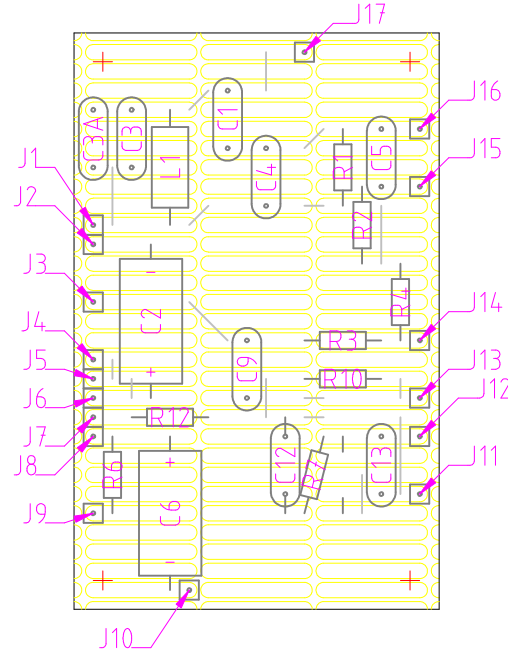
D

E

Pitch1 Placement



Pitch1 Labels



1

2

3

4

5

Pitch Layout

SIZE A	DRAWING NUMBER Theremin07	REV A
DESIGNED BY James Lewis		REV DATE 04/24/2008
SCALE 1:1	SHEET 1 OF 4	

A

B

C

D

E